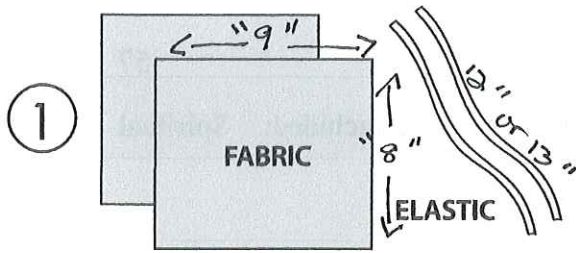


# HOW TO MAKE A FABRIC FACE MASK THAT SECURES BEHIND THE HEAD

WWW.MADEEVERYDAY.COM

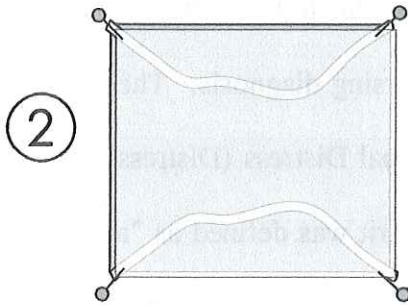


This size is for an average adult. See Additional Sizing below.

**CUT 2 PIECES OF FABRIC**  
**9 x 8 IN (23 x 20 CM)**

(Cotton or Flannel)  
 \* Pre-wash and dry fabrics

**CUT 2 PIECES OF ELASTIC** or Bias Binding Tape  
**13 IN (33 CM)** (12")  
 (1/4 or 1/8 in. wide)

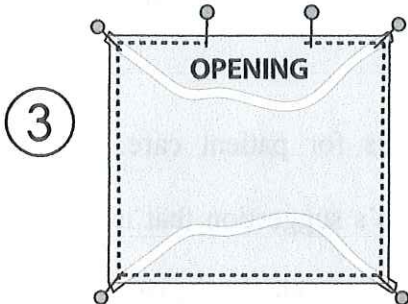


## SANDWICH + PIN ELASTIC / Bias Binding Tape

With right sides of fabric together, sandwich the two elastic pieces between the fabric layers.

Pin each end to the longer fabric side corners.

Make sure the elastic is not twisted! *make sure not to catch the tape in your seam.*



## SEW PIECES TOGETHER

Sew around the mask with a 1/2 inch seam allowance, leaving a 2-3 inch opening.

As you get to the corners, sew forward and back to secure the elastic in place. Make sure each elastic piece is angled into the corner of the fabric, and that you don't sew over other parts of the elastic as you go around. *(or Bias Binding Tape)*

**Remember to leave an opening!**  
*You may reinforce Bias Binding Tape by straight-stitching or zig-zagging the long edge.*

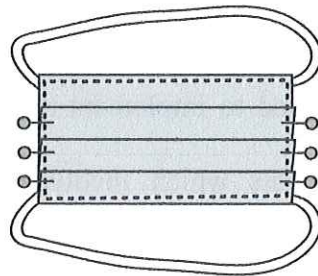
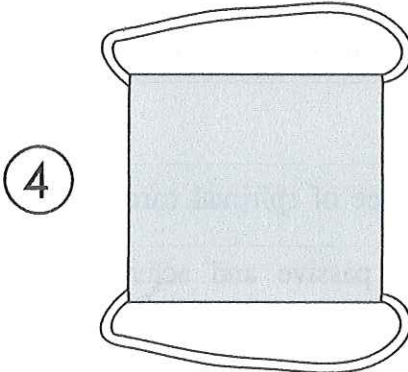
## PIN + SEW PLEATS

Turn mask right side out.

Fold fabric to create 3 evenly spaced pleats and pin.

Finished mask will be 3 inches tall.

**YOU'RE DONE!**



## ADDITIONAL SIZING

	FABRIC	ELASTIC
Small Adult	8X8 IN (20X20 CM)	12 IN (30.5 CM)
Teen	8X8 IN (20X20 CM)	11.5 IN (29 CM)
Child	7x7 IN (18x18 CM)	11.5 IN (29 CM)

## ADDITIONAL IDEAS

To help the mask mold better around your nose, you may insert a pipe cleaner, floral wire, or small piece of flat bendable metal to the top inside of the mask before forming the pleats. Sew a topstitch next to it, to hold it in place.

## NOTES

Please check with your local support centers before making large quantities of masks, to ensure they can accept and use them.

**WARNING:** This is an educational tutorial only. This tutorial, design, or any product created therefrom is intended to be used for educational purposes only and is not intended to be used to create a medical or similar device. This tutorial, design, or any product created therefrom is not intended, nor has it been tested, to reduce or eliminate the transmission of any respiratory or airborne pathogen, allergen, or any type of particle or droplet, and on that basis, should not be used for any such purpose. Dana Made, Inc., MADEEVERYDAY.com and Dana Willard make no warranties express or implied, that this tutorial, design, or any product created therefrom is intended, or is suitable for use to reduce or eliminate the transmission of any respiratory or airborne pathogen, allergen, or any type of particle or droplet. Any user of this tutorial, design, or any product created therefrom for anything other than educational purposes assumes the risk of serious injury or death. For information on how to reduce the transmission of pathogens, please consult a qualified and competent health care professional.



